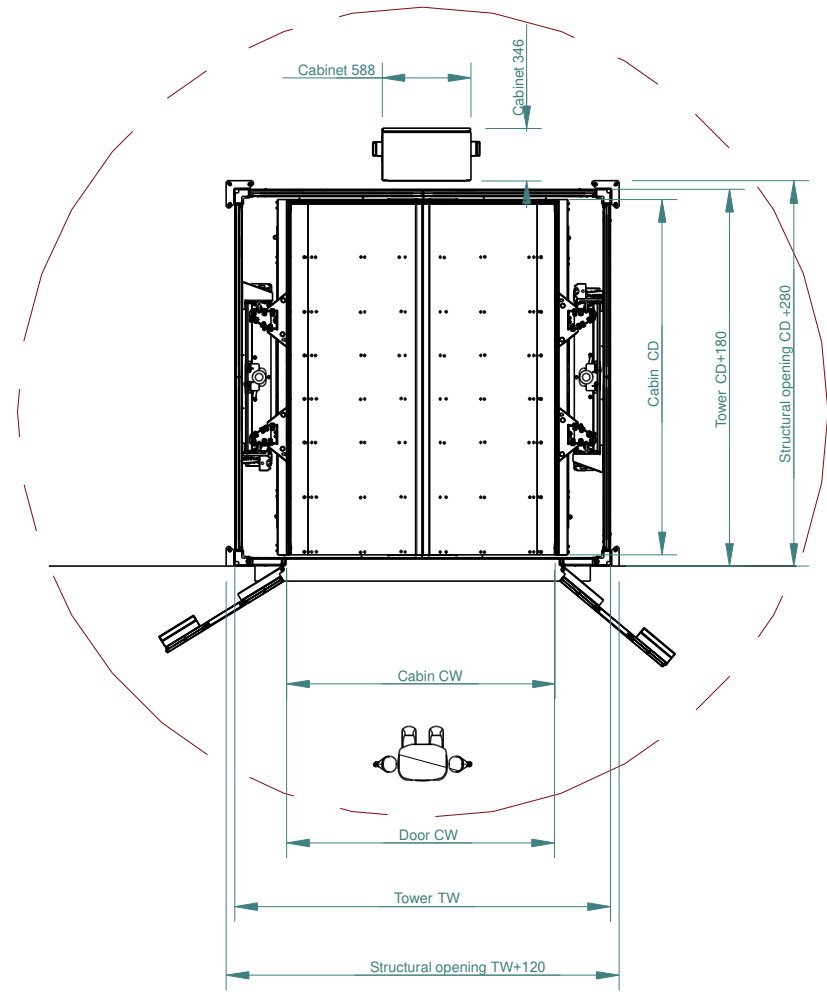
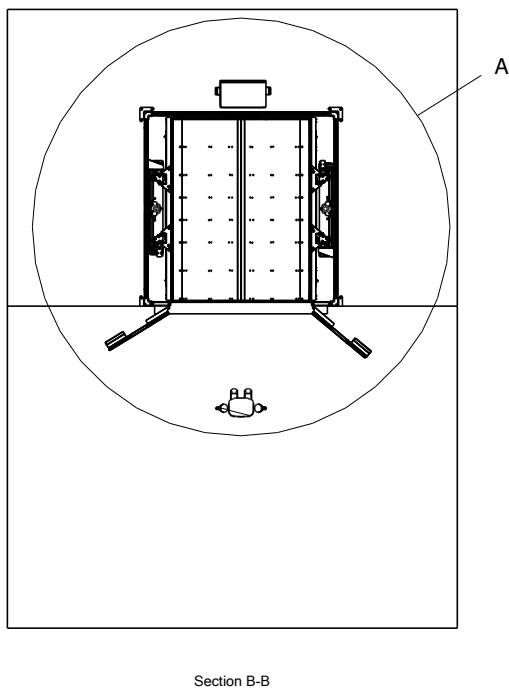
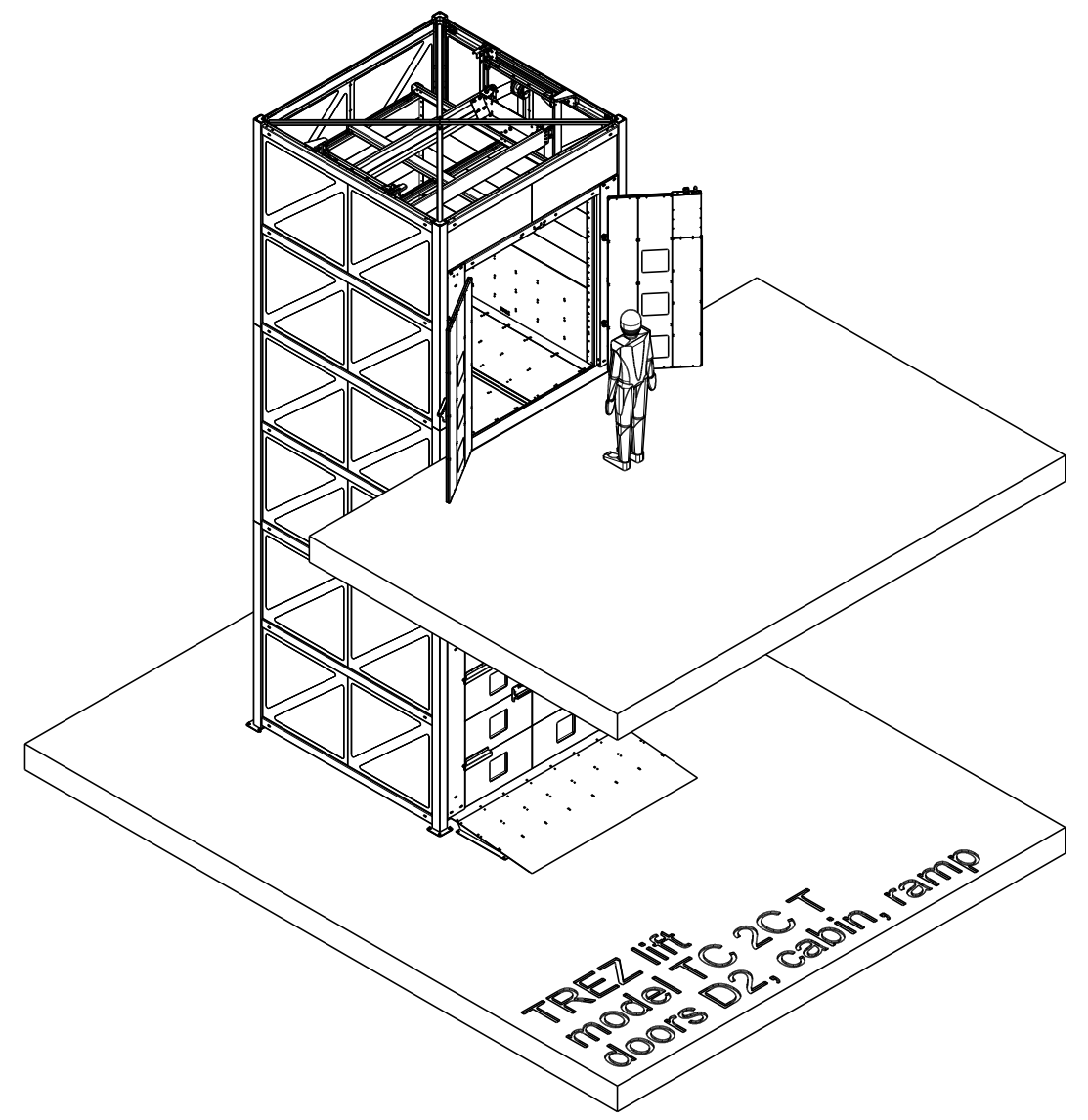
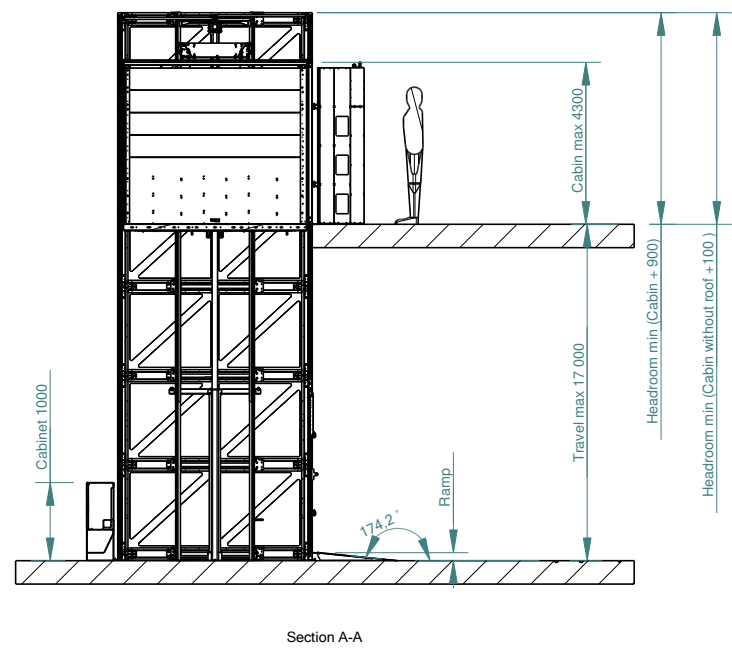
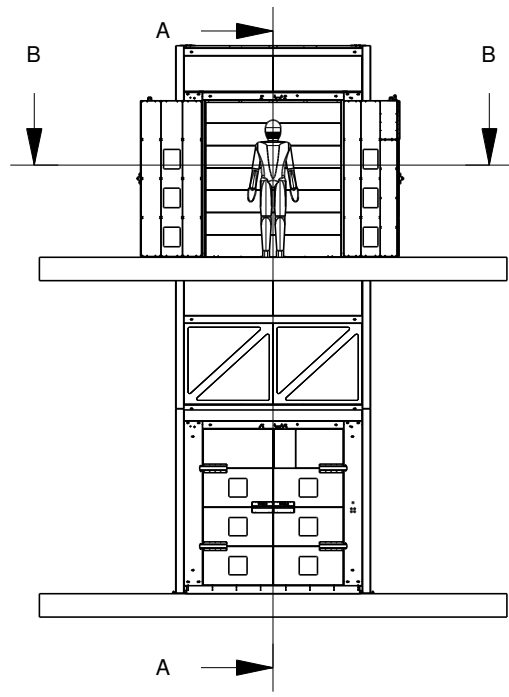


1 2 3 4 5 6 7 8

A
B
C
D
E
F

A
B
C
D
E
F



| Model | Safe Working Load | Motor power | Pit or Ramp | Cabin depth CD | Cabin wide CW | Tower wide TW |
|--------------|-------------------|-------------|-------------|----------------|---------------|---------------|
| TC 2C T 500 | 500 kg | 2.2 kW | 120 mm | max 2900 mm | max 3600 mm | CW + 730 mm |
| TC 2C T 1000 | 1000 kg | 3 kW | 120 mm | max 2480 mm | max 3300 mm | CW + 730 mm |
| TC 2C T 1500 | 1500 kg | 4 kW | 180 mm | max 2480 mm | max 2900 mm | CW + 850 mm |
| TC 2C T 2000 | 2000 kg | 5.5 kW | 250 mm | max 2300 mm | max 2300 mm | CW + 850 mm |
| TC 2C T 2500 | 2500 kg | 7.5 kW | 250 mm | max 2300 mm | max 2300 mm | CW + 950 mm |
| TC 2C T 3000 | 3000 kg | 7.5 kW | 250 mm | max 2000 mm | max 2000 mm | CW + 950 mm |

Speed 0.13 m/s
Power supply 3x400 VAC
In compliance with the Machinery Directive 2006/42/EC

Goods only lift
Model TC 2C T
doors D2, cabin, ramp

TREZ
Sheet 1/1

1 2 3 4 5 6 7 8