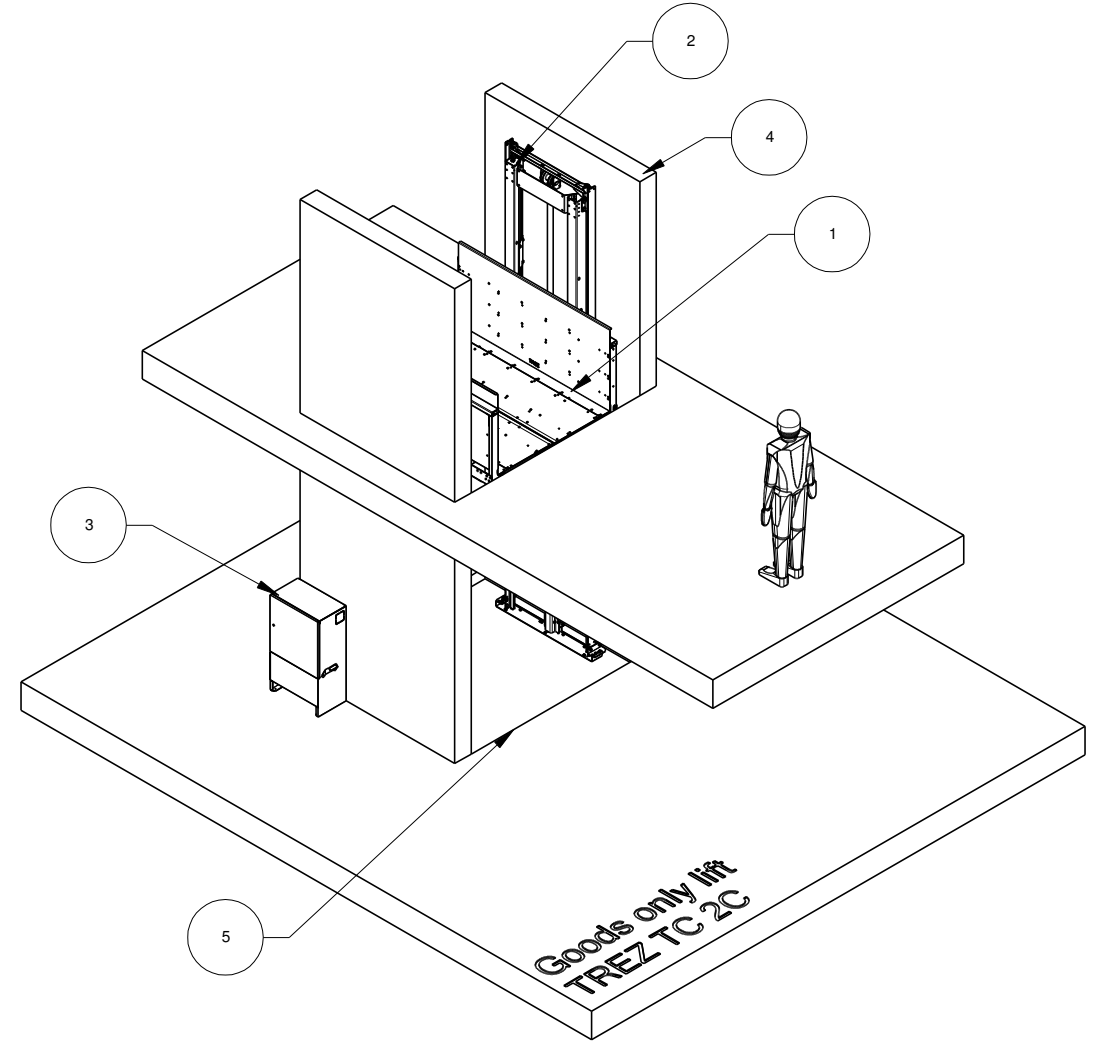
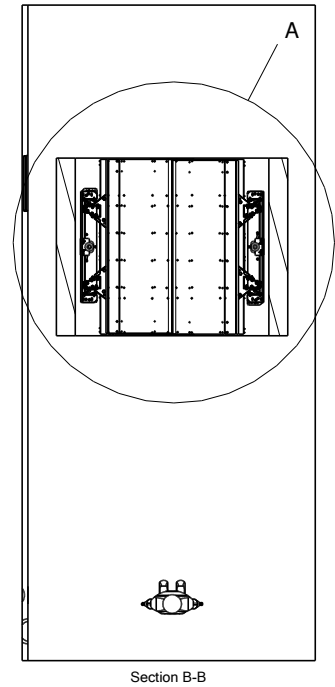
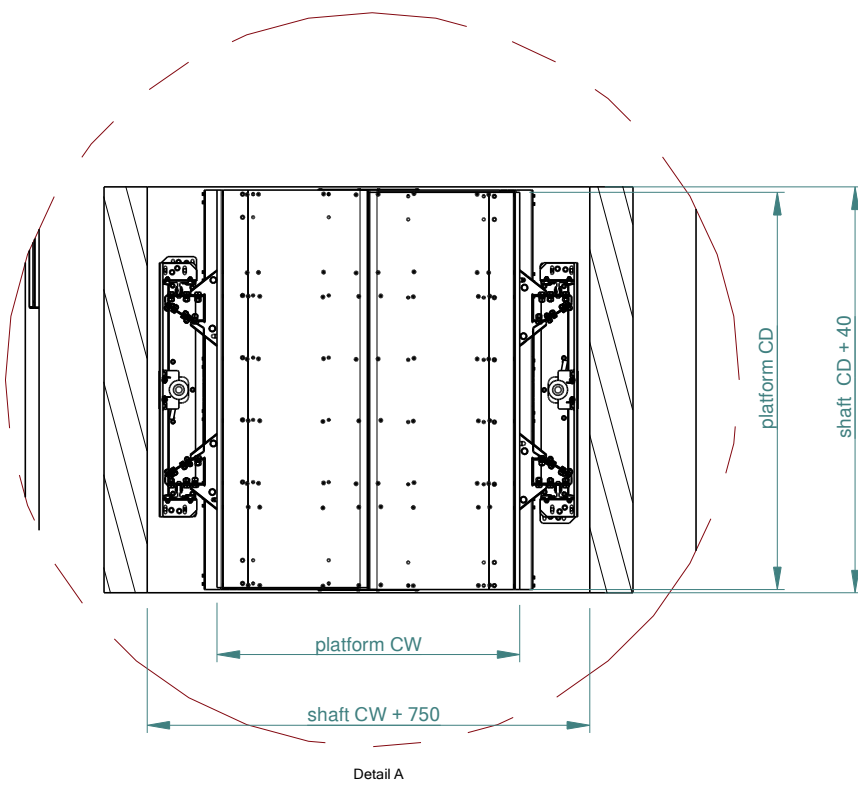
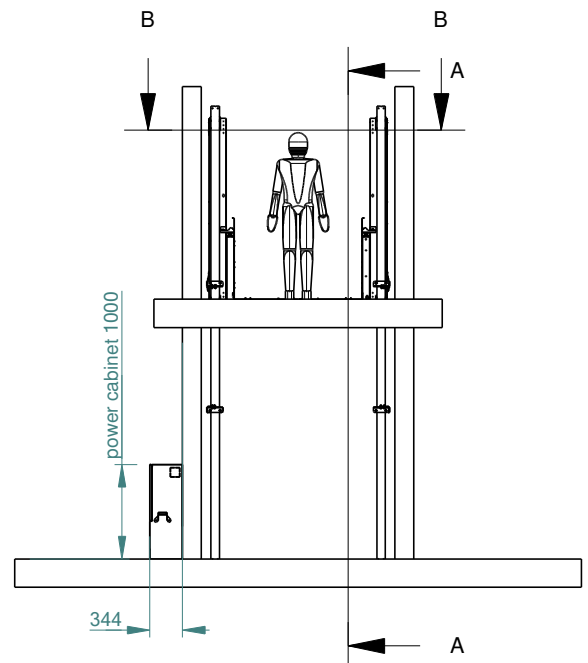
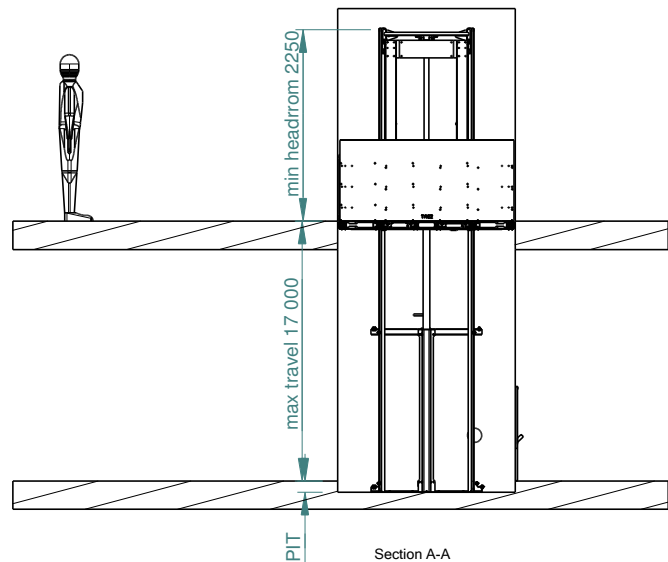


A  
B  
C  
D  
E  
F

A  
B  
C  
D  
E  
F



- 1) platform
- 2) guide rails
- 3) power cabinet
- 4) concrete wall
- 5) PIT

Model	Safe Working Load	Power	PIT	Platform depth CD	Platform wide CW
TC 2C 500	500 kg	2.2 kW	120 mm	max 2900 mm	max 3600 mm
TC 2C 1000	1000 kg	3 kW	120 mm	max 2480 mm	max 3300 mm
TC 2C 1500	1500 kg	4 kW	180 mm	max 2480 mm	max 2900 mm
TC 2C 2000	2000 kg	5.5 kW	250 mm	max 2300 mm	max 2300 mm
TC 2C 3000	3000 kg	7.5 kW	250 mm	max 2000 mm	max 2000 mm

Itemref	Quantity	Title/Name, designation, material, dimension etc	Article No./Reference		
Drawn by	Checked by	Approved by - date	File name	Date	Scale
Platform goods only lift TC 2C Speed 0.13 m/s Power supply 4x400 VAC In accordance with the terms of the Machinery Directive 2006/42/EC			<b>TC 2C</b>		<b>TREZ</b>
				Edition	Sheet