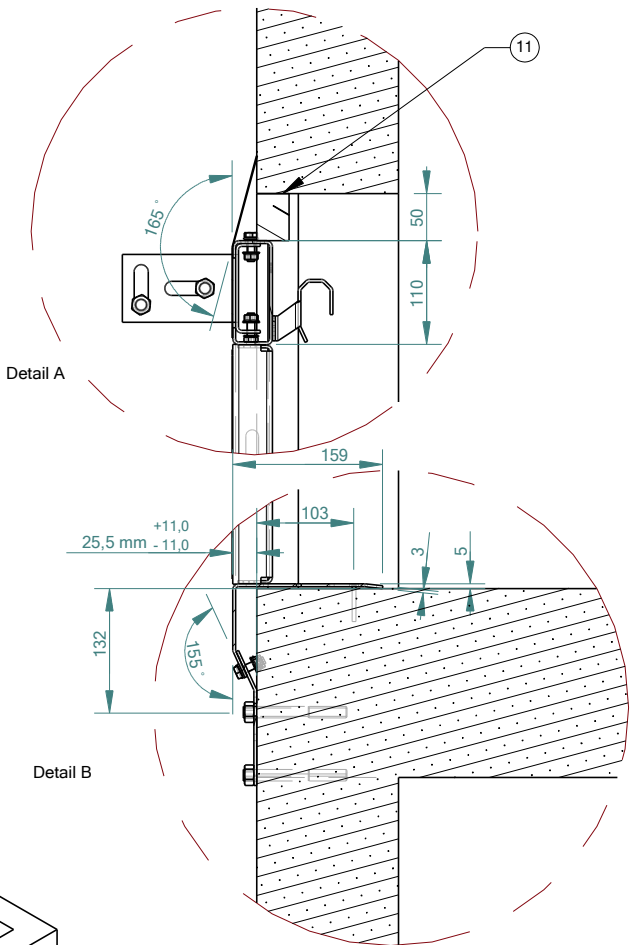
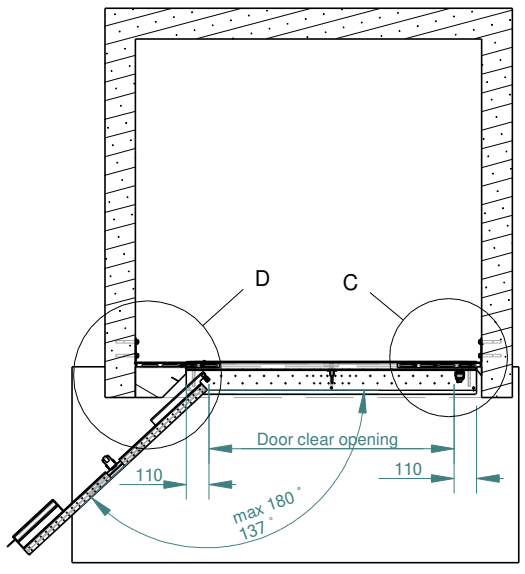
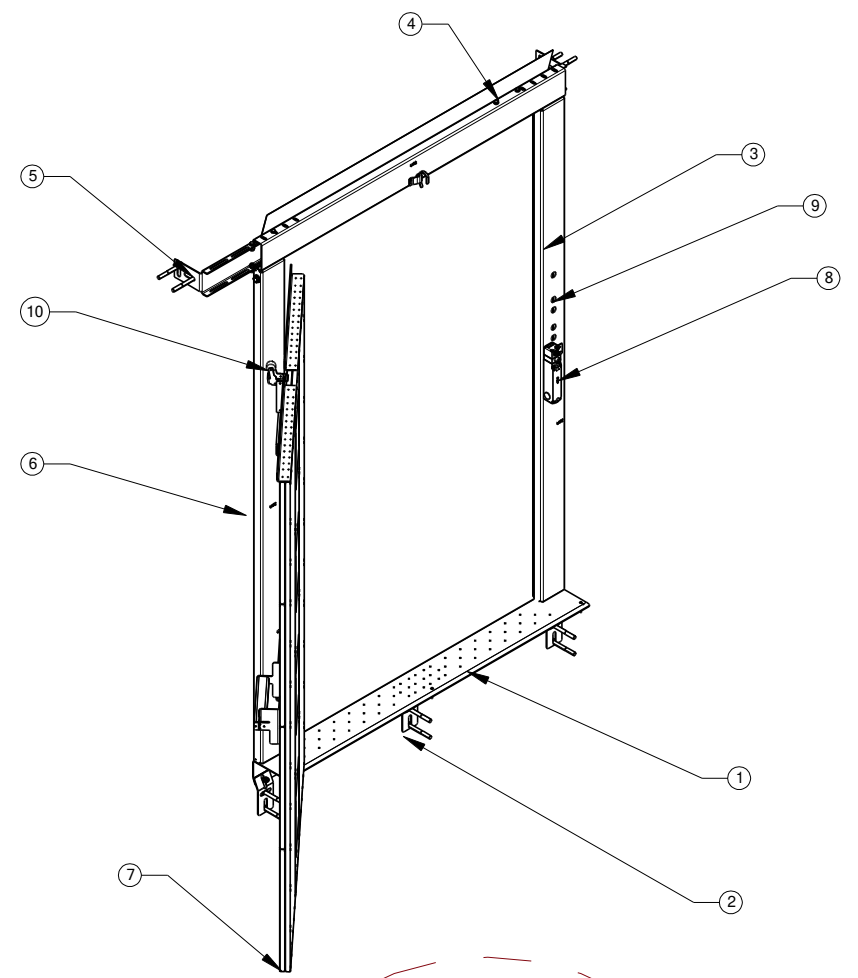


Section A-A

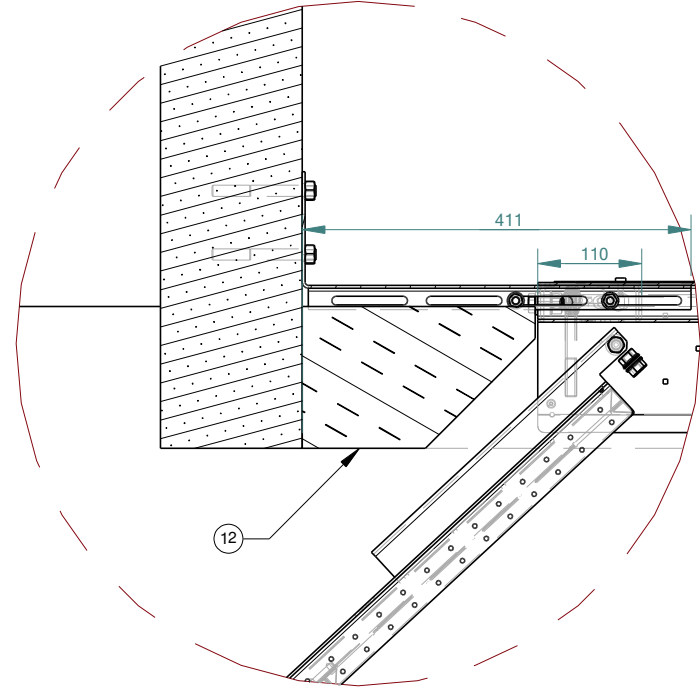
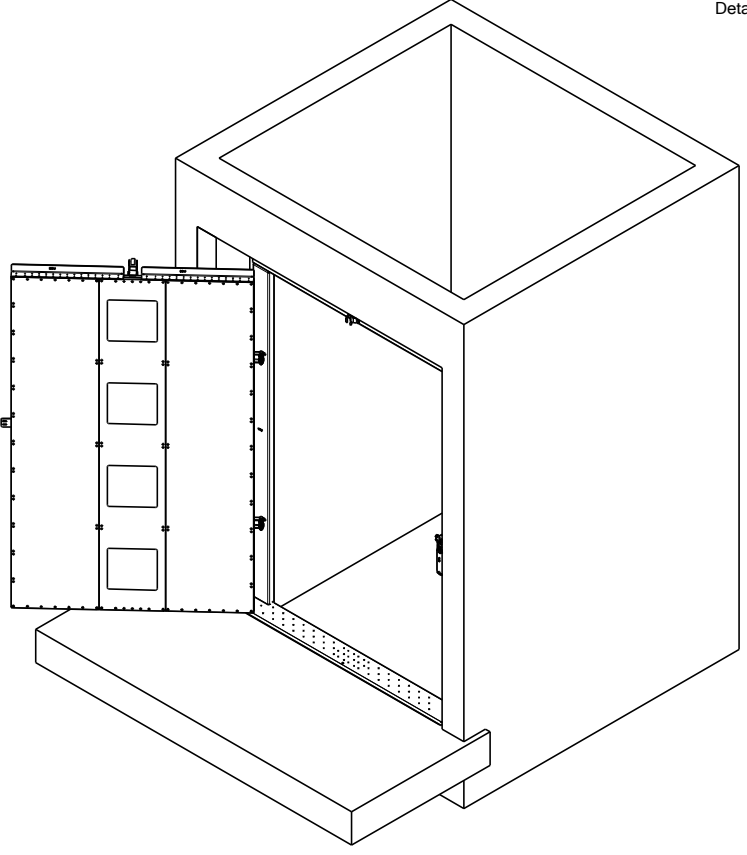


Detail A

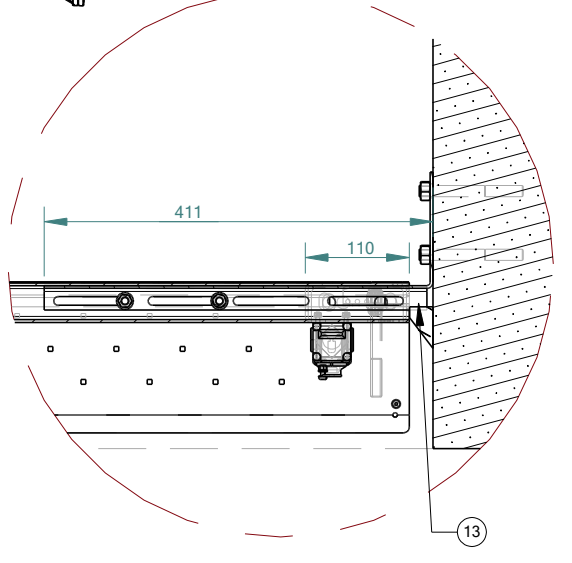
Detail B



Section B-B



Detail D



Detail C

- 1) Doorstep
- 2) Doorstep brackets
- 3) Door frame left column
- 4) Door frame top
- 5) Door frame top brackets
- 6) Door frame left column
- 7) Door wing
- 8) Door lock
- 9) Pushbuttons to control the lift
- 10) Buffer
- 11) Finishing after the door installation ( from the builder)
- 12) Finishing after the door installation ( from the builder)
- 13) Finishing after the door installation ( from the builder)



Itemref	Quantity	Title/Name, designation, material, dimension etc	Article No./Reference		
Drawn by eng. Dimitrov	Checked by eng. Bialkov	Approved by - date 18.01.2022	File name Landing door model D1 for TREZ goods lifts	Date 18.01.2022	Scale 1:8
Landing door model D1 for TREZ goods only lifts			Edition R.16	Sheet 1/1	