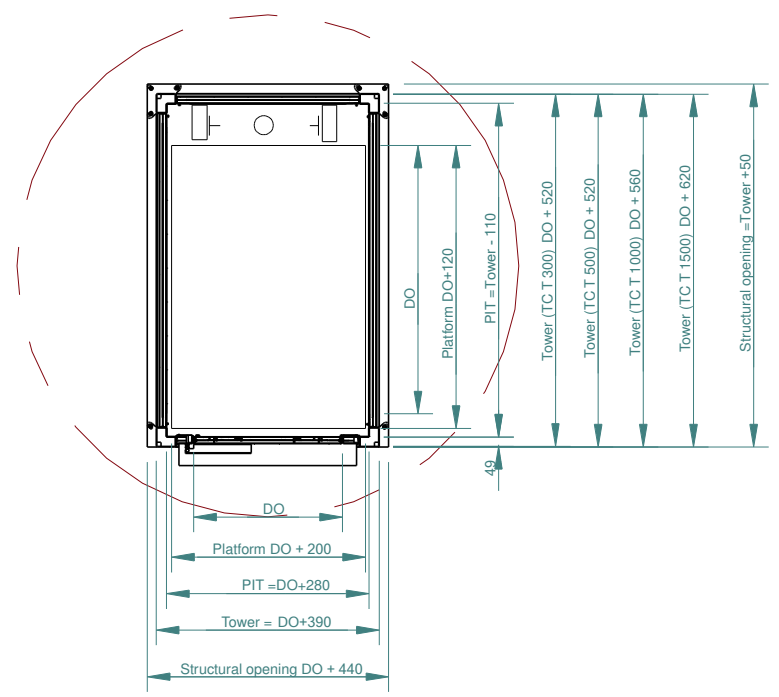
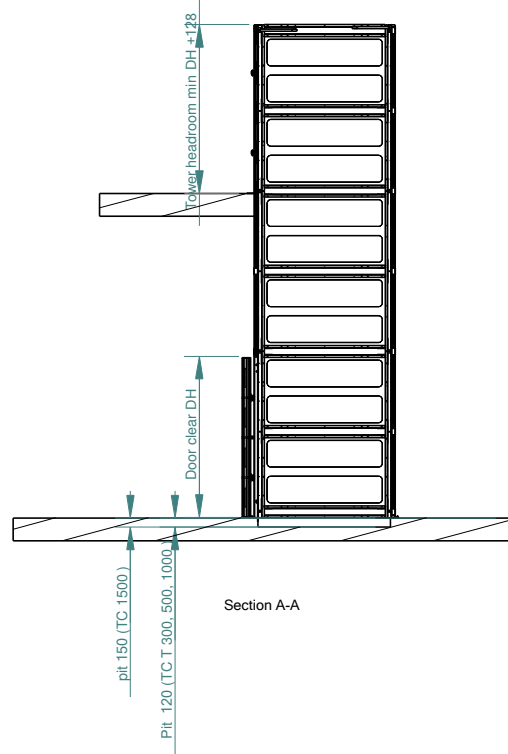


A
B
C
D
E
F

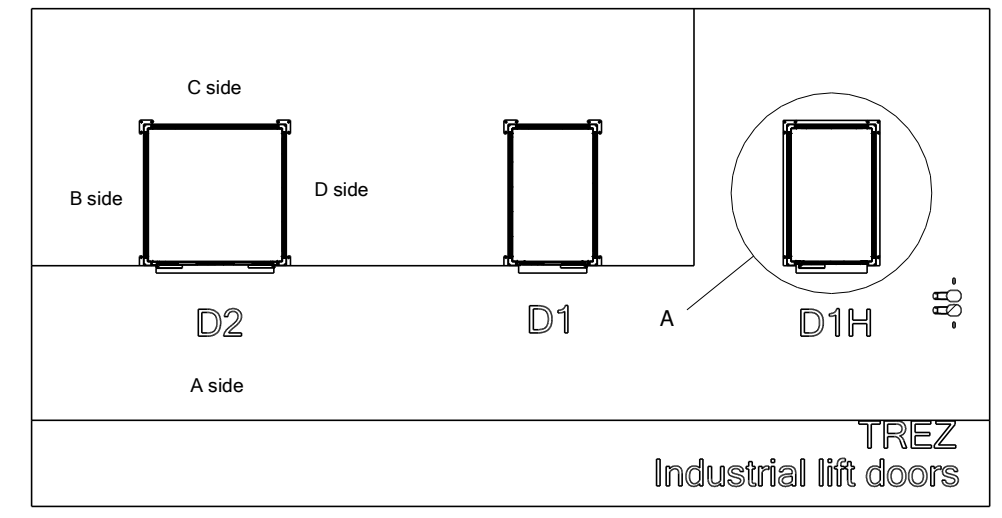
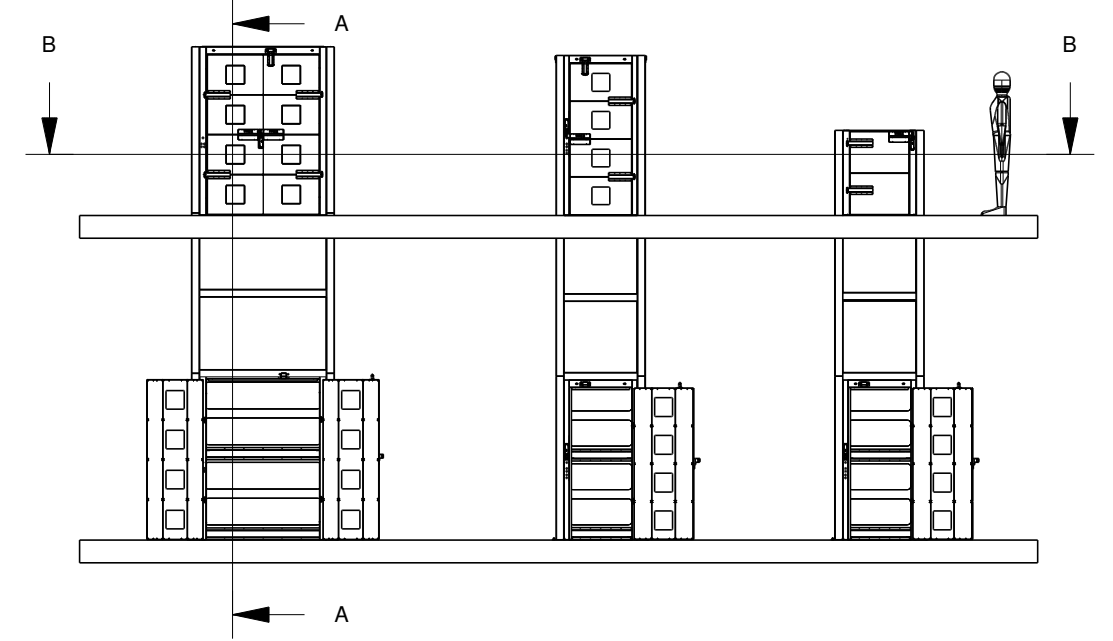
A
B
C
D
E
F



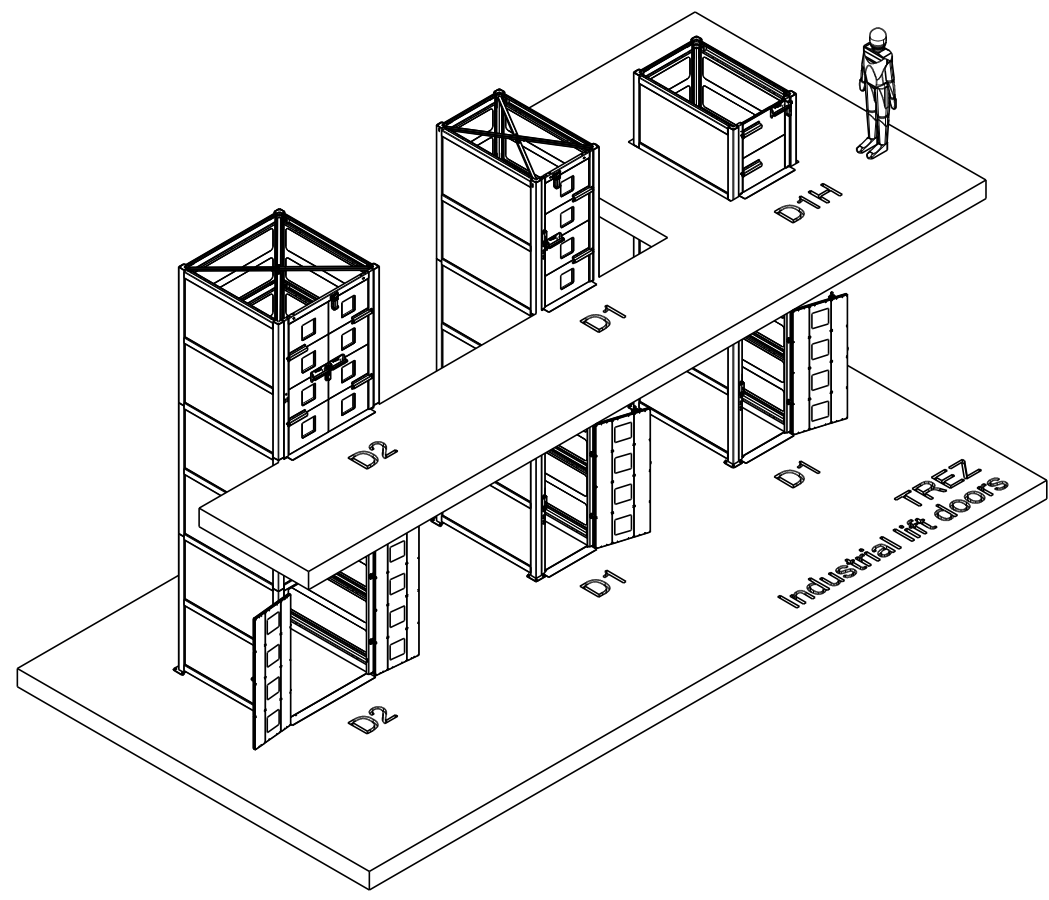
Detail A



Section A-A



Section B-B



- Possible tower doors configuration:
- A side doors only
 - B side doors only
 - D side doors only
 - Doors on A and B side
 - Doors on A and D side
 - Doors on B and D side
 - Doors on A, on B and D sides

Itemref	Quantity	Title/Name, designation, material, dimension etc	Article No./Reference		
Drawn by	Checked by	Approved by - date	File name	Date	Scale
			TREZ industrial lift doors for Lift Tower model 2020		
				Edition	Sheet