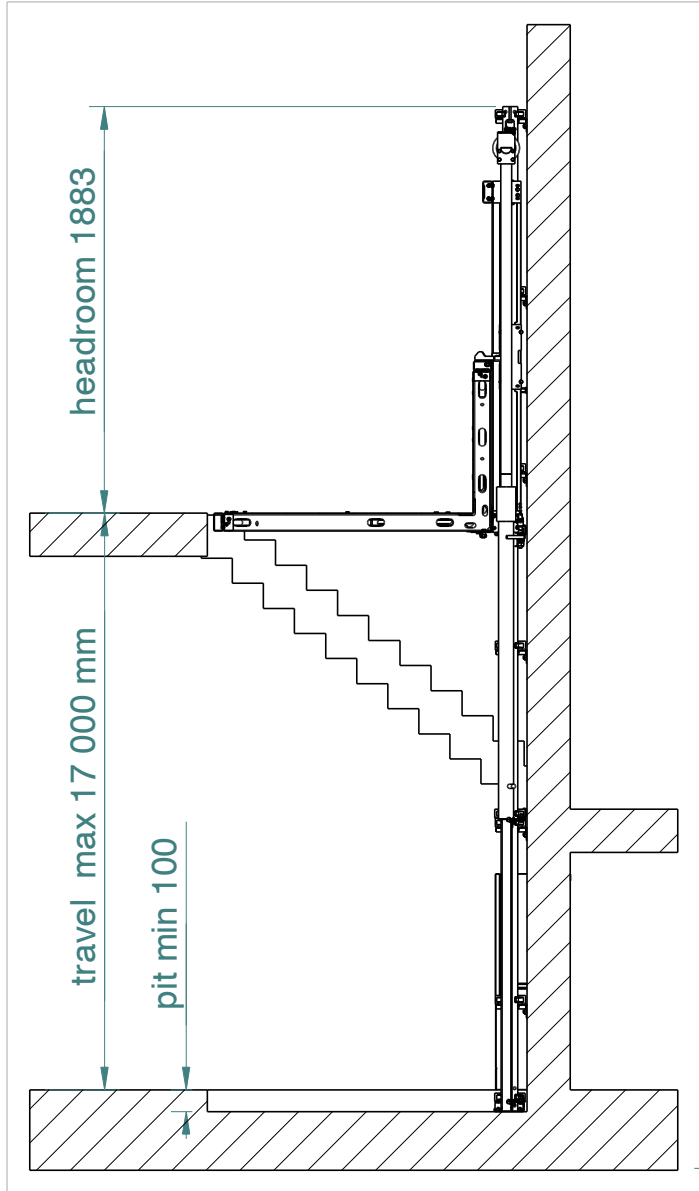


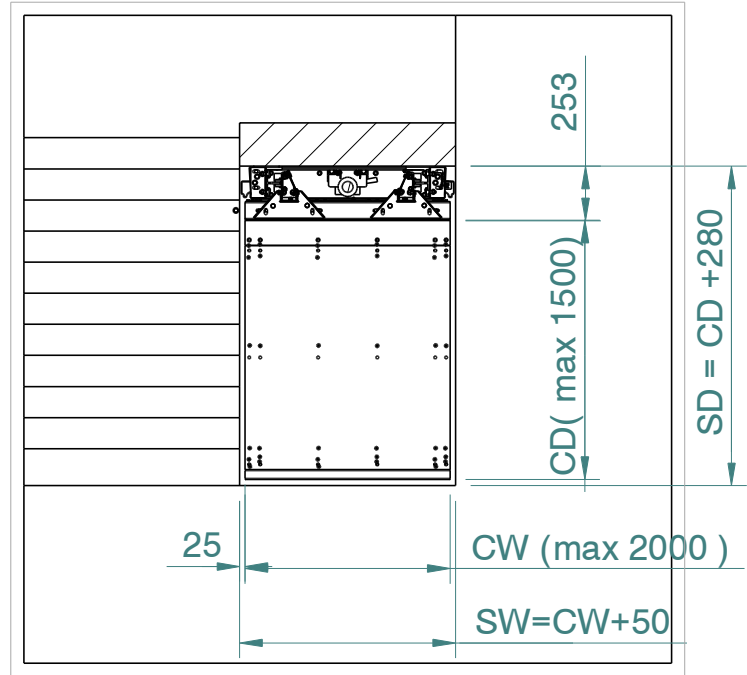
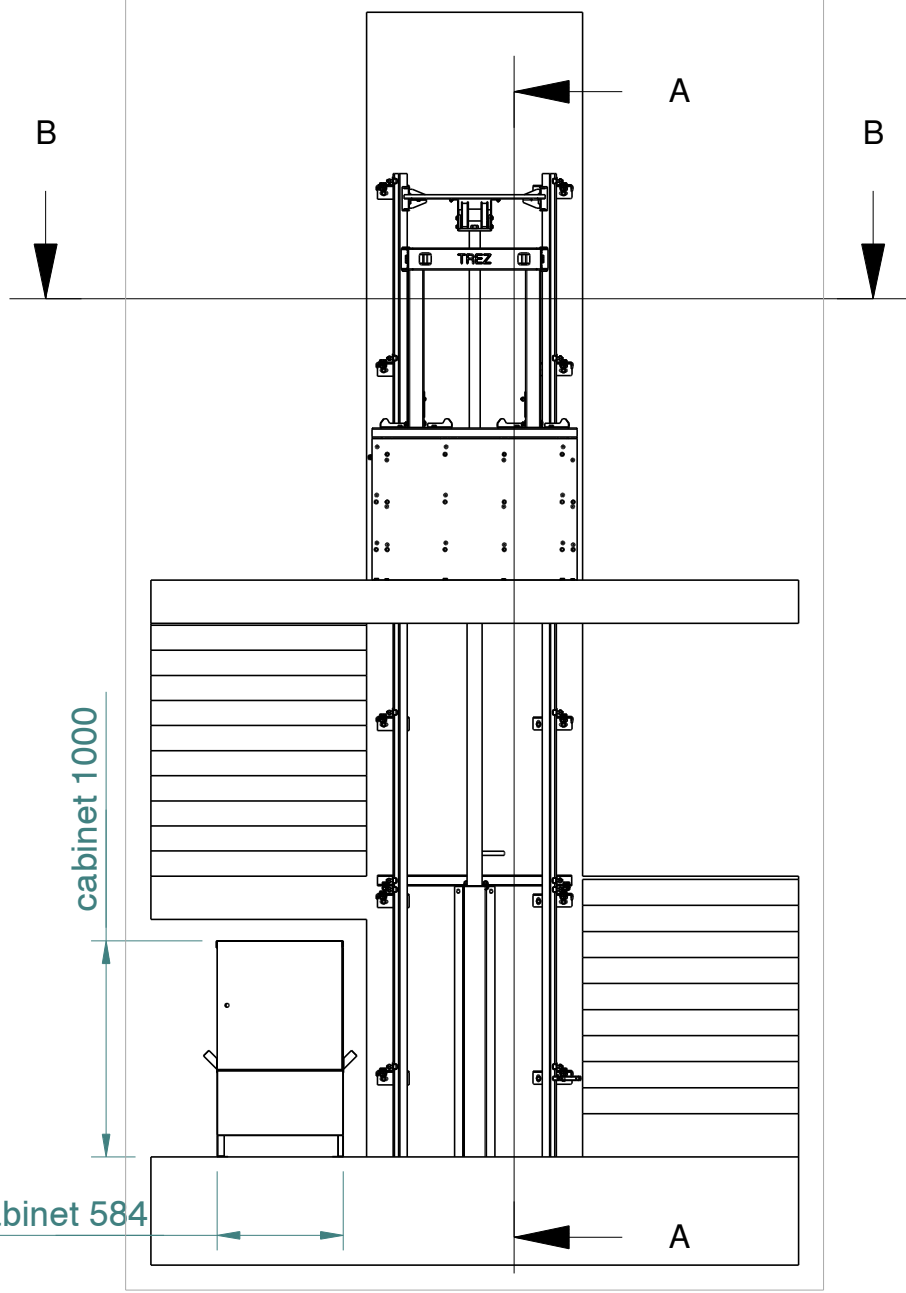
RevNo	Revision note	Date	Signature	Checked
-------	---------------	------	-----------	---------

A
B
C
D
E
F

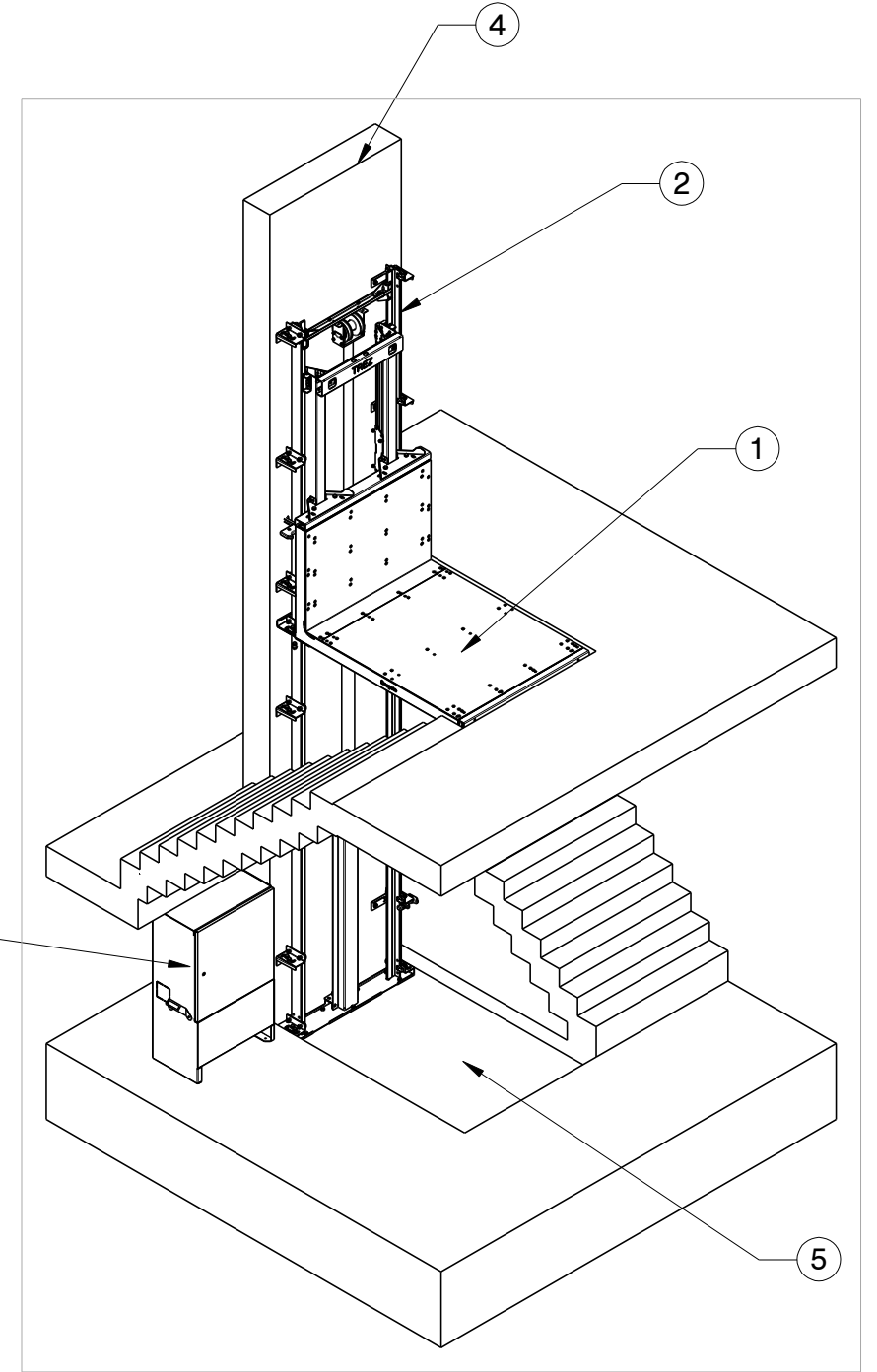
A
B
C
D
E
F



Section A-A



Section B-B



Itemref	Quantity	Title/Name, designation, material, dimension etc	Article No./Reference		
Drawn by	Checked by	Approved by - date	Material	Date	Scale
Max load 500 kg Speed 0.13 m/s Power 1,2 kW			TC 500 TREZ <i>lifts from Bulgaria</i>		